

Data Sheet

DS-8601-8606-8607-eng-eu

March, 2008

Models 8601, 8606 and 8607

Brooks® Pressure Regulators

DESCRIPTION

Brooks 8600 Series Pressure Regulators are high precision supply pressure regulators for gas or liquid which are direct acting, relieving units that provide bubble-tight shut-off on Helium at 7 bar. The PC 8606 and 8607 have metal diaphragms to eliminate hydrocarbon outgassing prevalent with elastomer diaphragm units.

SPECIFICATIONS

Spring ranges	* 0 - 0.7 bar * 0 - 2.0 bar * 0 - 4.0 bar * 0 - 7.0 bar * 0 - 10.0 bar * 0 - 14.0 bar (Model 8601 only)
Maximum Supply Pressure	17 bar
Pressure Drop Range	0.7 - 17 bar
Maximum oper. temp.	Standard 60 °C Optional 177 °C
Drift	Less than 1% in first 15 minutes to total 1.5 % long term
Supply Pressure Effect	0.7 bar increase in supply will not change out put more than 0.005 bar
Ambient temp. effect	0.0015 bar/°C (4 bar spring range)

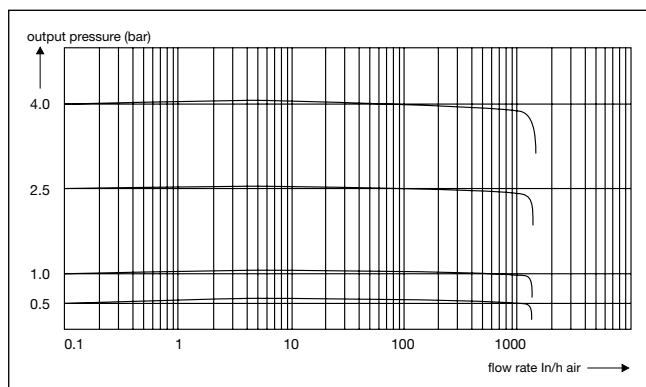


Model 8606

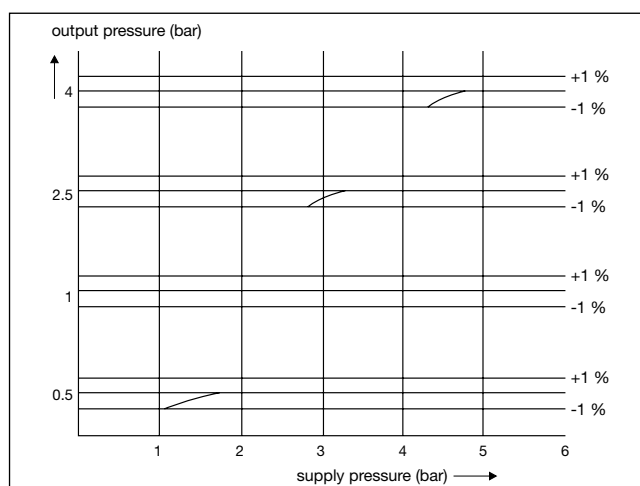
CONSTRUCTION DATA

Body	Aluminium or 316 SS
Bonnet	Aluminium for model 8601
Nickel plated brass	for models 8606/07
Internal valve stem	316 SS
Internal valve seat	Brass/viton or 316 SS/viton
Valve spring	316 SS
Diaphragm	Buna or viton for model 8601 Havar for models 8606/07
Range spring	Music wire, zinc plated

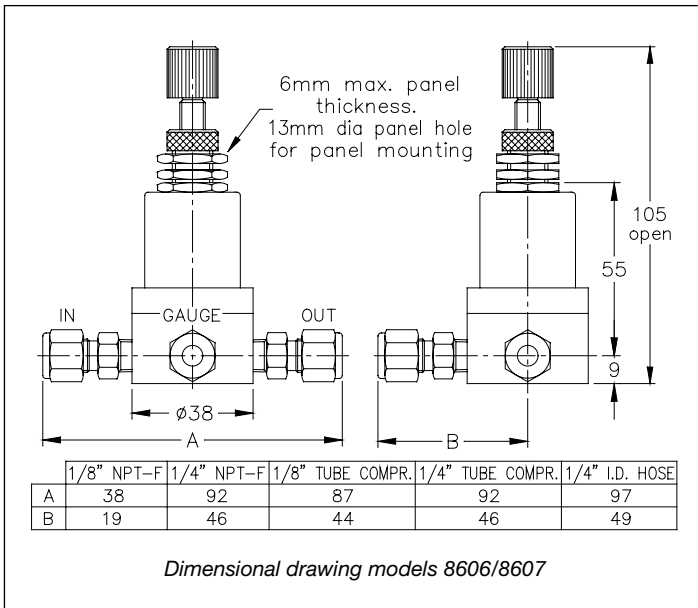
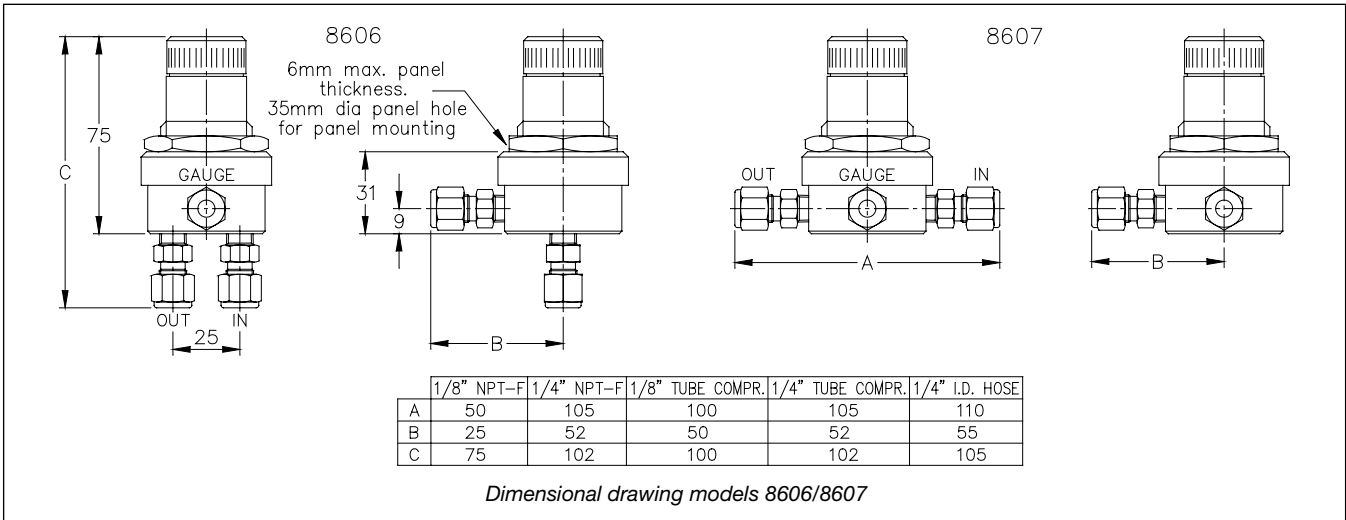
PERFORMANCE CURVES FOR 8601/06/07



Flow rate variation effect on output pressure



Supply pressure variation effect on output pressure



BROOKS LOCAL AND WORLDWIDE SUPPORT

Brooks Instrument provides sales and service facilities around the world. Calibration facilities are available in locally based sales and service offices. Certified by our local Weights and Measures Authorities and traceable to the relevant international standards.

START-UP SERVICE AND IN-SITU CALIBRATION

Brooks Instrument can provide start-up service prior to operation when required, if necessary under in-situ conditions, and the results will be traceable to the relevant international quality standards.

CUSTOMER SEMINARS AND TRAINING

Brooks® can provide customer seminars and dedicated training to engineers, end users and maintenance persons.

HELP DESK

- In case you need technical assistance:
- Americas ☎ 1-888-554-FLOW
 - Europe ☎ +(31) 318 549 290
 - Within Netherlands ☎ 0318 549 290
 - Asia ☎ +011-81-3-5633-7100

TRADEMARKS

- Brooks Brooks Instrument, LLC
- Buna DuPont Performance Elastomers
- Viton DuPont Performance Elastomers

Due to Brooks Instrument's commitment to continuous improvement of our products, all specifications are subject to change without notice.



Brooks Instrument
 407 West Vine Street
 P.O. Box 903
 Hatfield, PA 19440-0903 USA
 T (215) 362-3700
 F (215) 362-3745
 E-Mail BrooksAm@EmersonProcess.com
 www.BrooksInstrument.com

Brooks Instrument
 Neonstraat 3
 6718 WX Ede, Netherlands
 T 31-318-549-300
 F 31-318-549-309
 E-Mail BrooksEu@EmersonProcess.com

Brooks Instrument
 1-4-4 Kitasuna Koto-Ku
 Tokyo, 136-0073 Japan
 T 011-81-3-5633-7100
 F 011-81-3-5633-7101
 E-Mail BrooksAs@EmersonProcess.com

