

This months Feature

## Networking & Communicating With Data Loggers

### Did You Know...

- You can connect up to 10 data loggers in a network?
- You can communicate with a data logger or a data logger network via modem or Ethernet?

**With ACR Products You Can!**

### In the News

**NEW Product Catalog from ACR Systems** - phone, fax or email ACR today for your copy of the new catalog:

Tel: (604) 591-1128  
 Fax: (604) 591-2252  
 Toll-Free (in N.America): 1-800-663-7845  
 Email: [general@acrsystems.com](mailto:general@acrsystems.com)

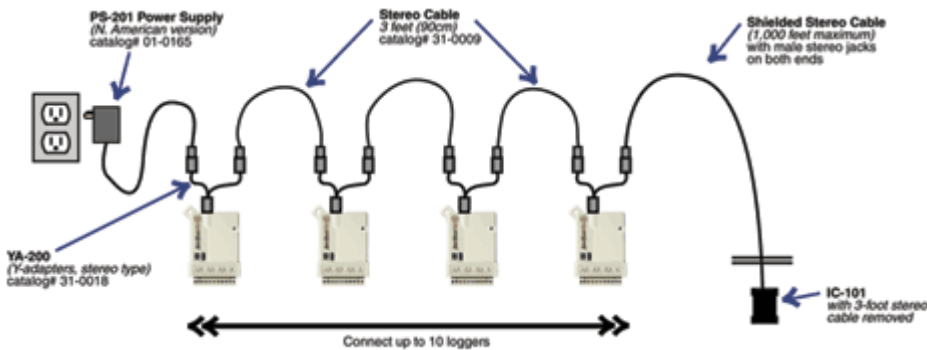
### Not sure where to find an ACR rep?

Visit the "Locate a Dealer" section of our website [www.acrsystems.com](http://www.acrsystems.com) or call us at 1-800-663-7845 toll-free in North America or (604) 591-1128.

### Networking with ACR Data Loggers

#### SmartReader Plus Network Connection

(Using shielded stereo cable)



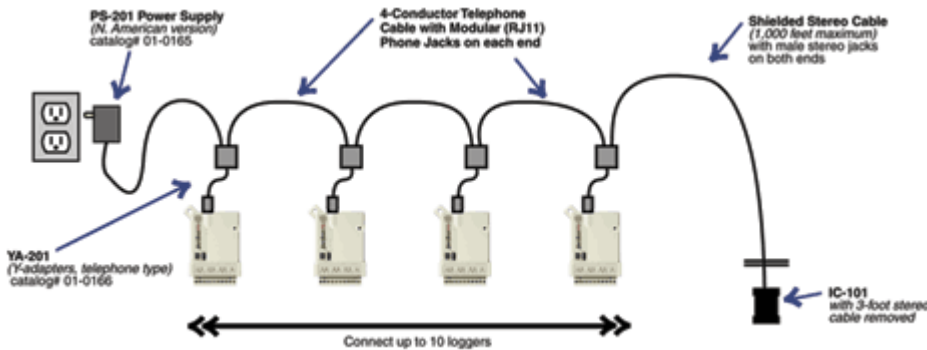
"click image to enlarge"

#### Notes:

1. Each leg of the YA-200 adapter is 4 inches long (10cm).
2. The PS-201 power supply must be connected to the last data logger as it contains a passive termination resistor.
3. The PS-201 power supply is only required when more than 3 data loggers are connected or the total cable distance is longer than 200 feet (61m).
4. To extend the 3-foot stereo cables, use the CB-020 20-foot (6.5m) stereo extension cables (cat# 31-0024).
5. Fast Read Mode is not possible when data loggers formed in a network.

#### SmartReader Plus Network Connection

(Using telephone cable)



"click image to enlarge"

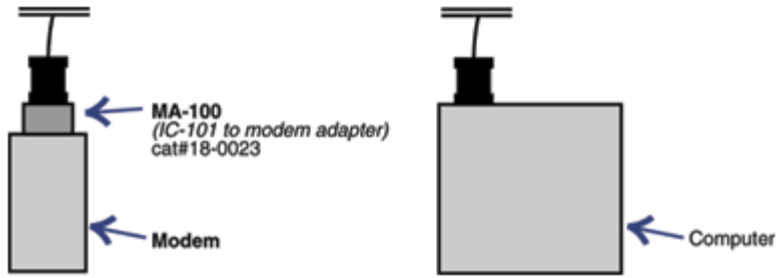
#### Notes:

1. Total cable distance is 1,000 feet (330m).
2. Distance between data loggers does not matter.
3. The PS-201 power supply must be connected to the last data logger and is only required when more than 3 data loggers are connected or total cable distance is longer than 200 feet (61m).
4. Fast Read Mode is not possible when data loggers formed in a network.

### Communicating with ACR Data Logger Networks

### Features:

**Communicate with data loggers on the network either direct with a computer or via modem:**



Several features are worth noting for ACR data logger networks:

- Up to 10 data loggers per network
- Up to 80 channels per network
- Remote communications compatible with any PC modem
- Automatically download logged data
- Automatic alarm dial-out from any logger on network
- Simple wiring; no hub required
- Wireless ready
- Ethernet ready

**Call ACR Today: 1-800-663-7845**

[acrsystems.com](http://acrsystems.com)

**ISO 9001:2000 Certified**

[Unsubscribe](#) Please include company name and email.